

STOCKPILE LOADER JBM 350H

The loader type JBM 350H is a specific loader for loading dry, free flowing bulk materials on stockpiles.

Areas of Application

- **Loader head**, designed to be hooked to a change-over chute with an outlet of Ø 350 mm.
- **Inlet pipe** made of St 37-2 (10 mm wall thickness)
- **Lift drive** with cable drums for 8 mm strong rope, lift limitation switch, drive shaft installed beneath head plate.
- **Rope deflection pulley** as well as double-sided installed slack rope switch.
- The **telescopic tubes** are made of 4 mm thick steel plates and installed on the loader head with solid chains.
- A appropriate **sensor** for the above-named bulk materials is installed on the outlet pipe outside the bulk material stream.
- **Material outlet** Ø 1200 mm made of 4 mm thick steel plates.
- **Dust skirt** Ø 1400 mm, made of exchangeable single segments of conveyor belt rubber, is installed at the end of the outlet socket.
- **Electrical design**: All limit switches and the sensor are connected in the terminal box beneath the loader head.

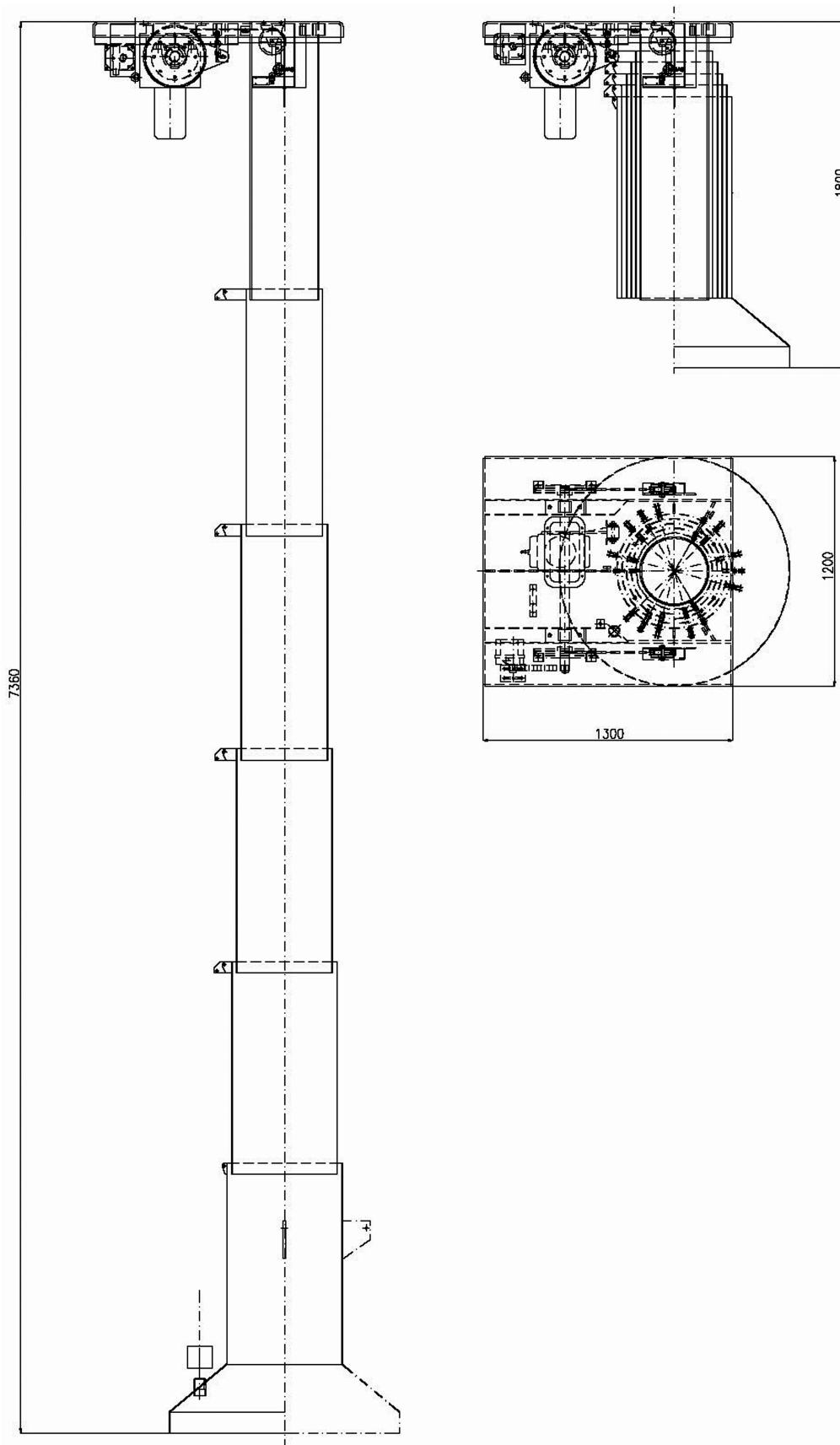
Details / Explanation

- After rust removal SA 2,5, a primer and top coat with hammer tone gray

Finish

JBM 350H

Scale Drawing
Overview



Technical Data JBM 350H

Type JBM 350H	350
Nominal diameter	350 mm
Loading capacity	290 m ³ / h
Construction height	1800 mm
Lift length	5000 mm
Weight	
Winch motor	1,1 kW , 400 V/50 Hz with stainless break
Sensor voltage	230 V/50 Hz
Break voltage	230 V/50 Hz

Article Number

Type JBM 350H	Article number
	751 10 168

Other designs and constructions on request.