

**COMPACT AND ROBUST COMPONENTS FOR
A WIDE RANGE OF APPLICATIONS
BUTTERFLY VALVE WITH ONE FLANGE**



Everywhere where flexible connections are required. A rubber or a cloth collar connects to the downstream element. Typical example: Between silo and scale, sieving machine etc.

Areas of Application

- Three operating types:
 - H = Hand driven
 - EP = Electro-pneumatic actuation
 - GM = Motor actuation
- Every time there is a change in the operating procedure, it is possible to change the butterfly valves to another operating type.

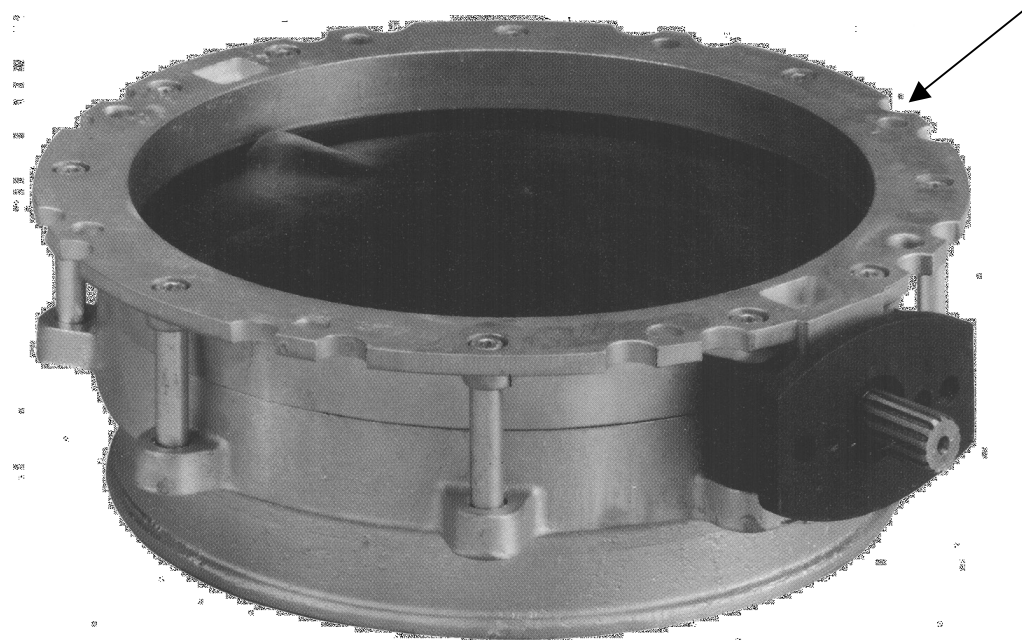
Details / Explanation

- Flap body: Aluminum (Chill casting)
- Flap plate: Material grade GG with neoprene-rubber coating
- Journal Extension: Material grade C40, with self-lubricating plastic bushes which do not encounter with the material.

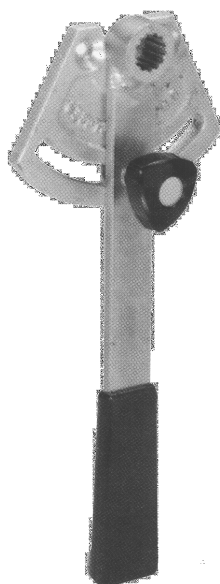
Finish

Basic Unit / Operating types:

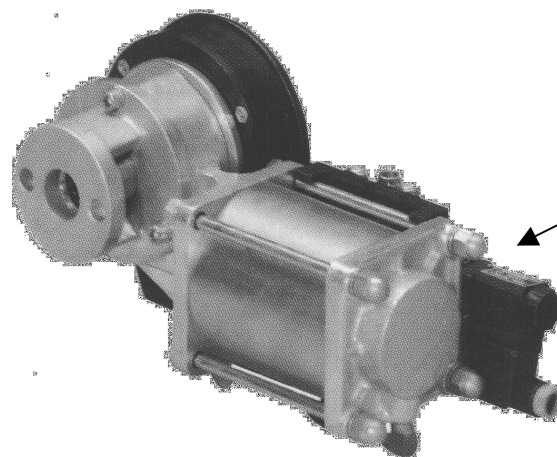
Basic unit F1



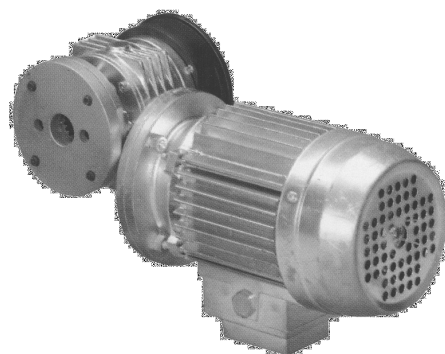
H = Hand driven



EP = Electro-pneumatic
actuation



GM = Drive motor
actuation



Technical Data Butterfly valve F1

Operating type	Hand driven (H)	Electro-pneumatic (EP)	Drive motor (GM)
Flange diameter ø mm	150, 200, 250, 300	150, 200, 250, 300	150, 200, 250, 300
Actuation	H2	EP80, EP100	GM2, GM3
Solenoid valve	--	MV5/2-8 = 3/8" thread plug	--
Coil	--	230V AC	--
Limit switch	--	Micro switch, end switch open / close	--

Article number Butterfly valve F1

Operating type	Hand driven (H)	Electro-pneumatic (EP)	Drive motor (GM)
	Article number	Article number	Article number
Flange diameter ø 150 mm	711 10 024	711 10 044	711 10 033
Flange diameter ø 200 mm	711 10 025	711 10 045	711 10 034
Flange diameter ø 250 mm	711 10 026	711 10 046	711 10 035
Flange diameter ø 300 mm	711 10 006	711 10 047	711 10 036
Flange diameter ø 350 mm	711 10 049	711 10 051	711 10 071
MGV 24V DC Additional charge	--	--	
Limit switch	--	711 10 060	711 10 060