

## JET-LOADER TELE-RONDO



The Stanelle loader **TYPE JBM 200 TELE-RONDO** is a special loader for the charging of silo vehicles which are to be loaded with easily de-mixable bulk goods such as, for example, dry mortar.

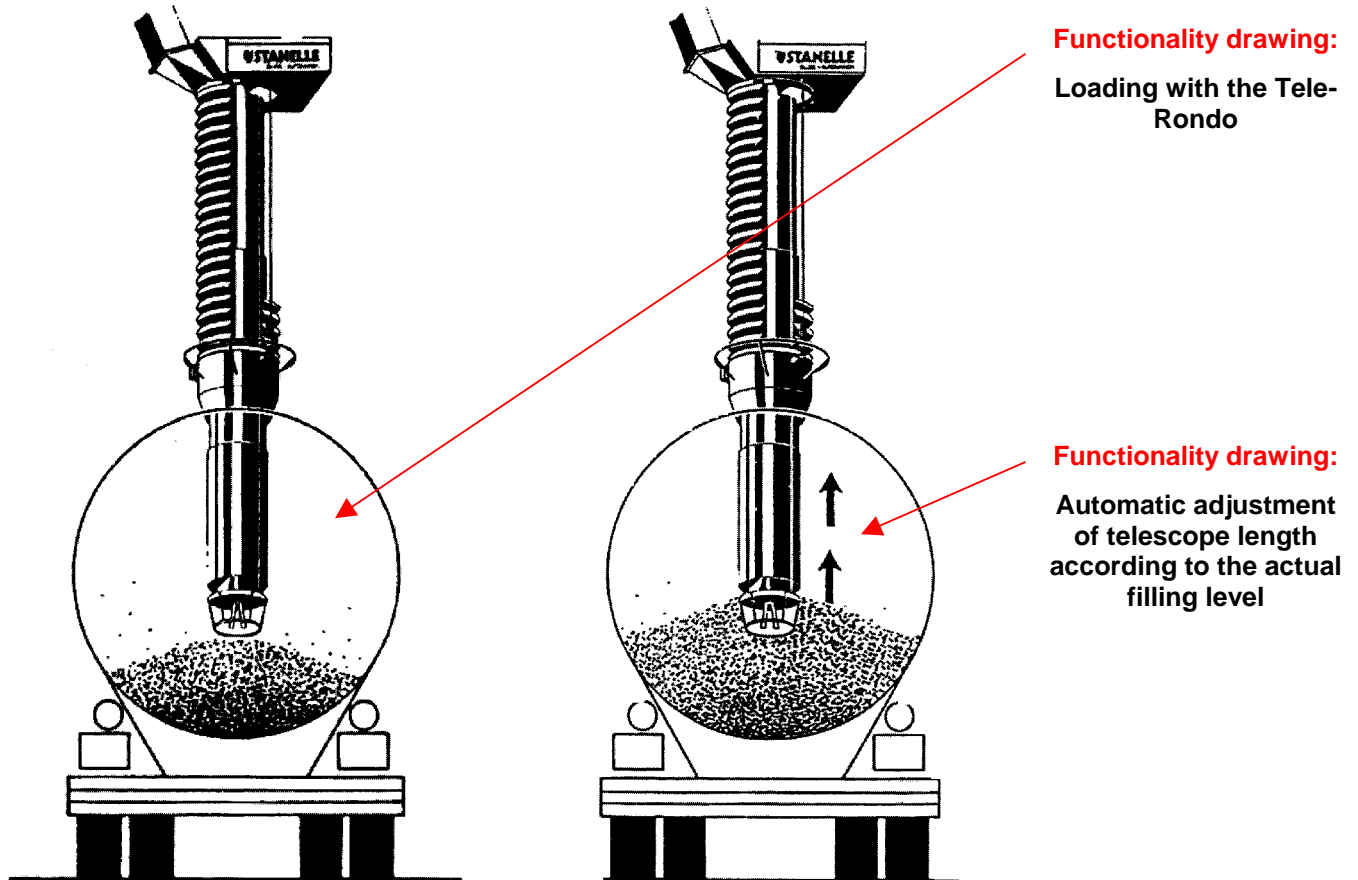
- Integrated level indicators automatically adjust the telescope length of the loader according to the actual loading level
- In conjunction with the Stanelle **longitudinal & cross traversing unit**, the TELE-RONDO is the perfect loading solution for special bulk materials, which tend to de-mix.
- Two max. level indicators guarantee the shutdown of the silo system when the desired filling level is reached
- When the TELE-RONDO is raised the closure cone prevents after-trickling of bulk material and the intrusion of air and humidity into the loader.
  
- Material grade: steel or stainless steel with top coating hammer tone silver gray (more colors available on request)

### Areas of Application

### Details / Explanation

### Finish

## LOADING PROCESS WITH THE JET-LOADER TELE-RONDO

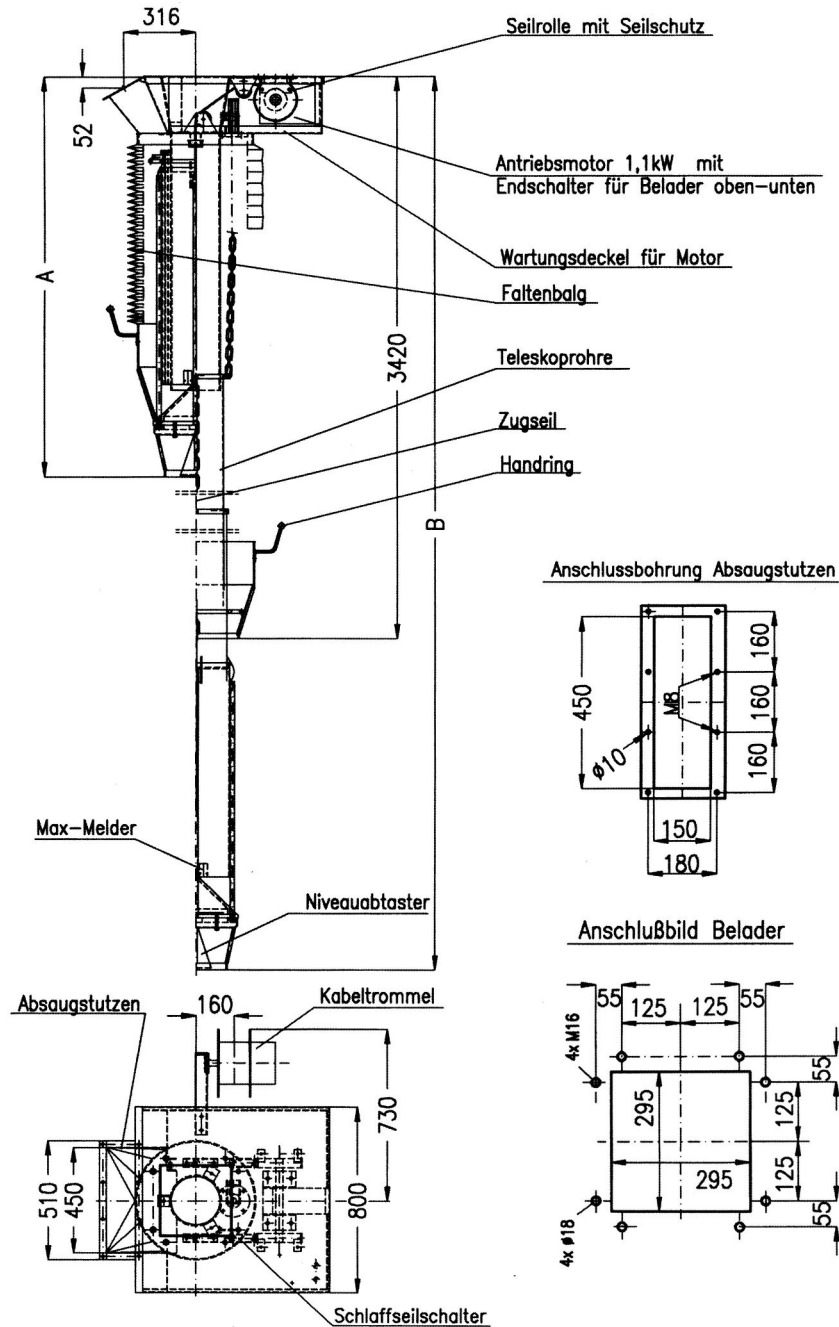


Bulk material with different weights and big heights of fall cause de-mixing problems resulting in lower quality of the bulk material.

By using the **TELE-RONDO Type JBM 200** when loading silo vehicles with silo domes of 350 to 500 mm diameter, the de-mixing of heterogeneous bulk material with particles of different granulation and weights (like dry mortar) is prevented.

Dimensions

	Standard	Replace version – short version (for standard Quadro)
A	1800	1490
B	4609	3675
Lift	2839	2215

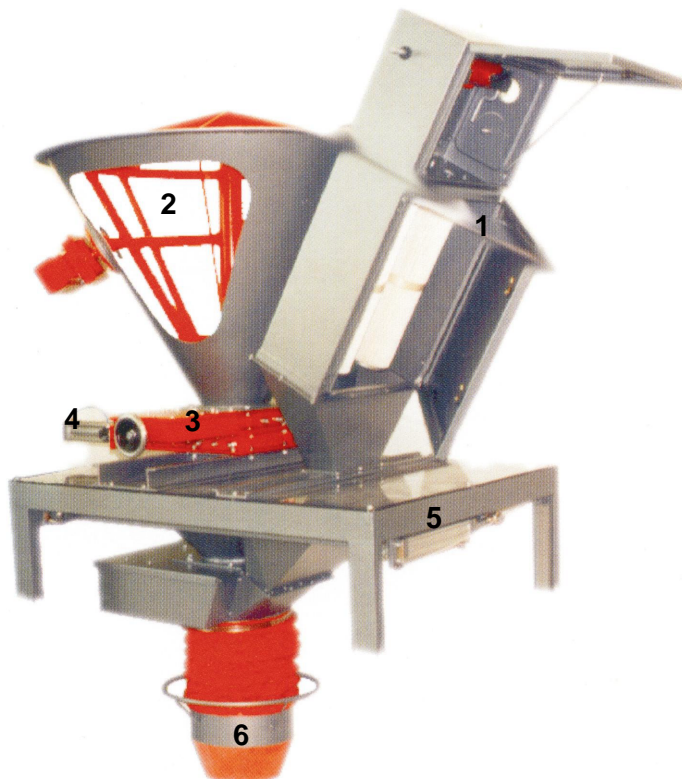


**Technical Data Tele-Rondo**

Type JBM 200 Tele-Rondo	
Nominal diameter	200 mm
Flow rate	100 m <sup>3</sup> / h
Bottom edge of top cone (expanded)	approx. 3400 mm
Total length, incl. level indicator	approx. 4505 mm
Telescope length (tube)	approx. 2735 mm
Lift motor	1,1 KW
Voltage	400, 500, or 690 V / 50 Hz
Voltage of filling level sensor	24 V / DC

**Article Number**

Type JBM 200 Tele-Rondo-	Article number
Standard	751 10 004
Short version	751 10 248



**Recommended  
additional accessories  
for the  
Tele-Rondo**

- 1 Loader filter**
- 2 Discharge vibrating cage**
- 3 Emergency flat gate**
- 4 Pneumatic flat gate**
- 5 Longitudinal and cross traversing unit**
- 6 Tele-Rondo**